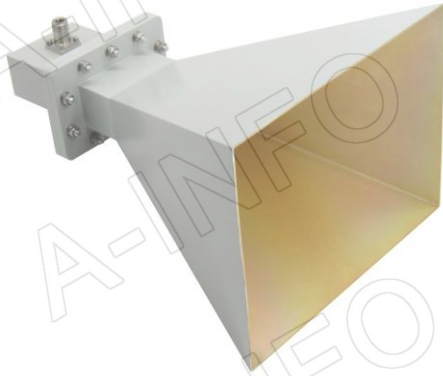


## Technical Specification

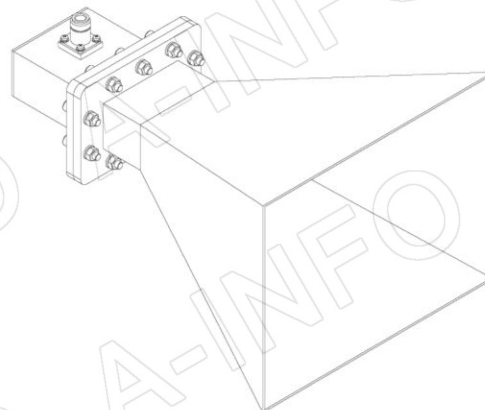
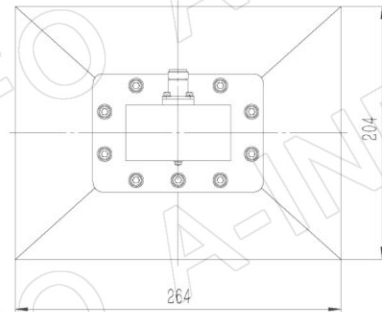
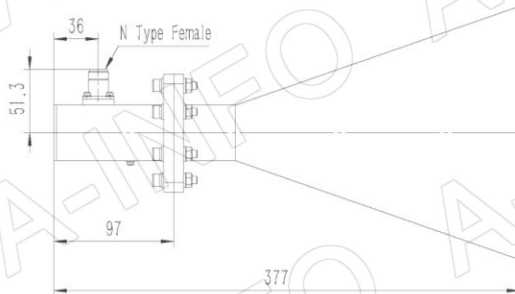


Frequency Range(GHz)	2.0 - 4.0
Gain(dBi)	15 Typ.
Polarization	Linear
3dB Beamwidth(deg)	E Plane: 36 - 20
	H Plane: 39 - 22
Cross Pol. Isolation(dB)	35 Typ.
VSWR	1.5:1 Typ.
	2.0:1 Max.
Output	N-Female or SMA-Female
Power Handling(W CW)	N-Female: 300 Max.
	SMA-Female: 50 Max.
Material	Al
Size(mm)	264 x 204 x 377
Net Weight(Kg)	1.60 Around

## Outline Drawing (Size: mm)

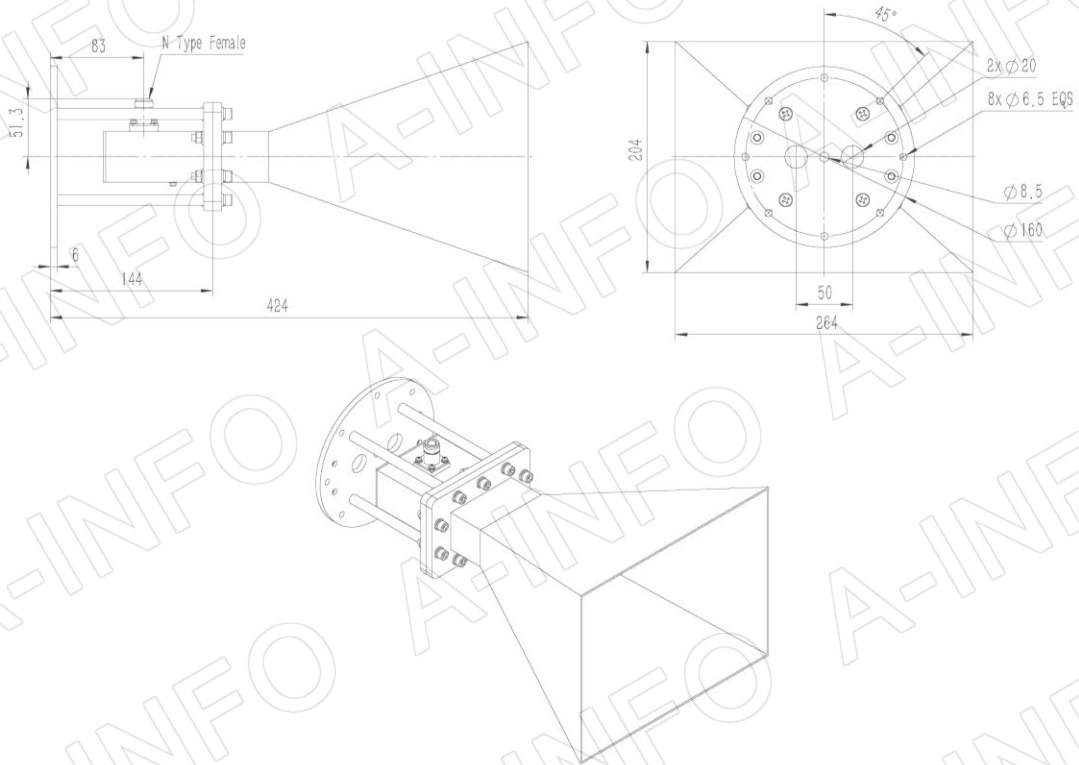
N-Female Output (P/N: LB-OH-320-15-C-NF)

For SMA-Female output outline drawing, please contact A-INFO.



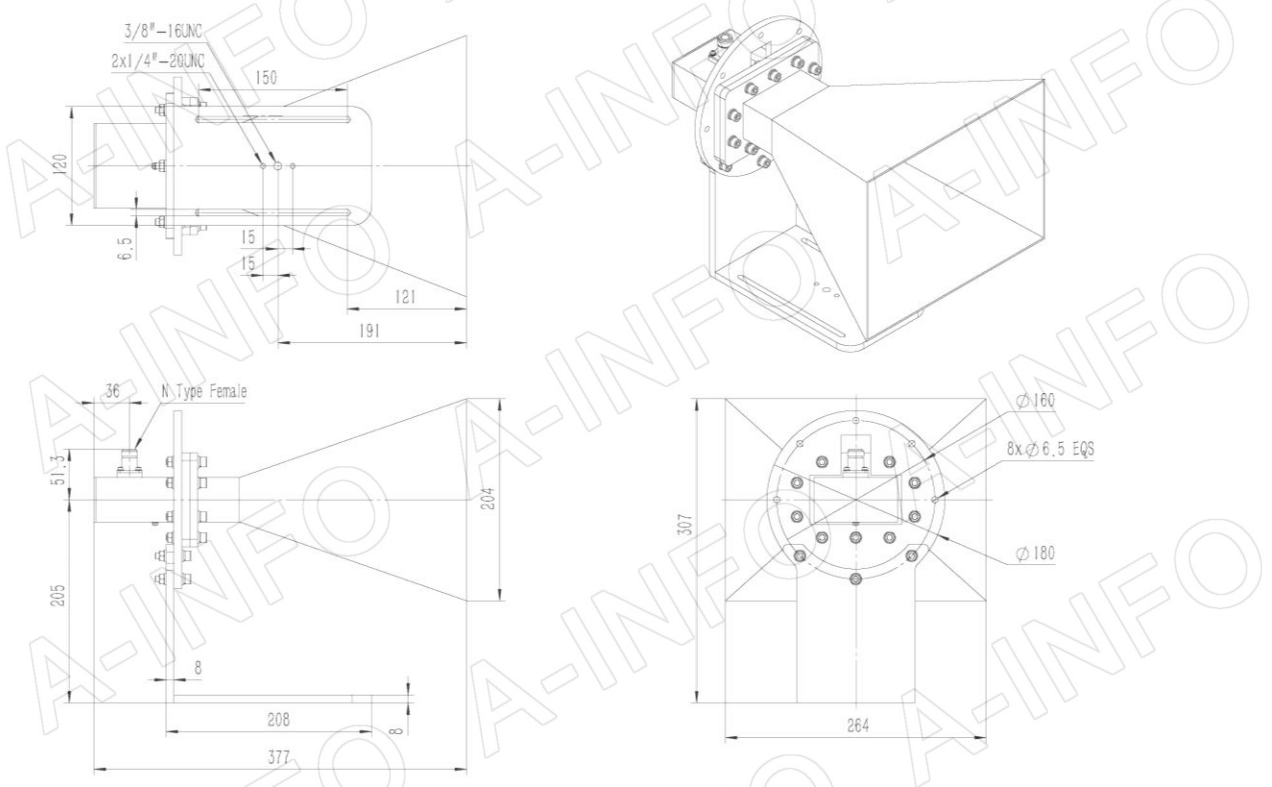
**N-Female Output with Round Mounting Bracket (Option, P/N: LB-340-10-C-MB)**

For SMA-Female output outline drawing, please contact A-INFO.

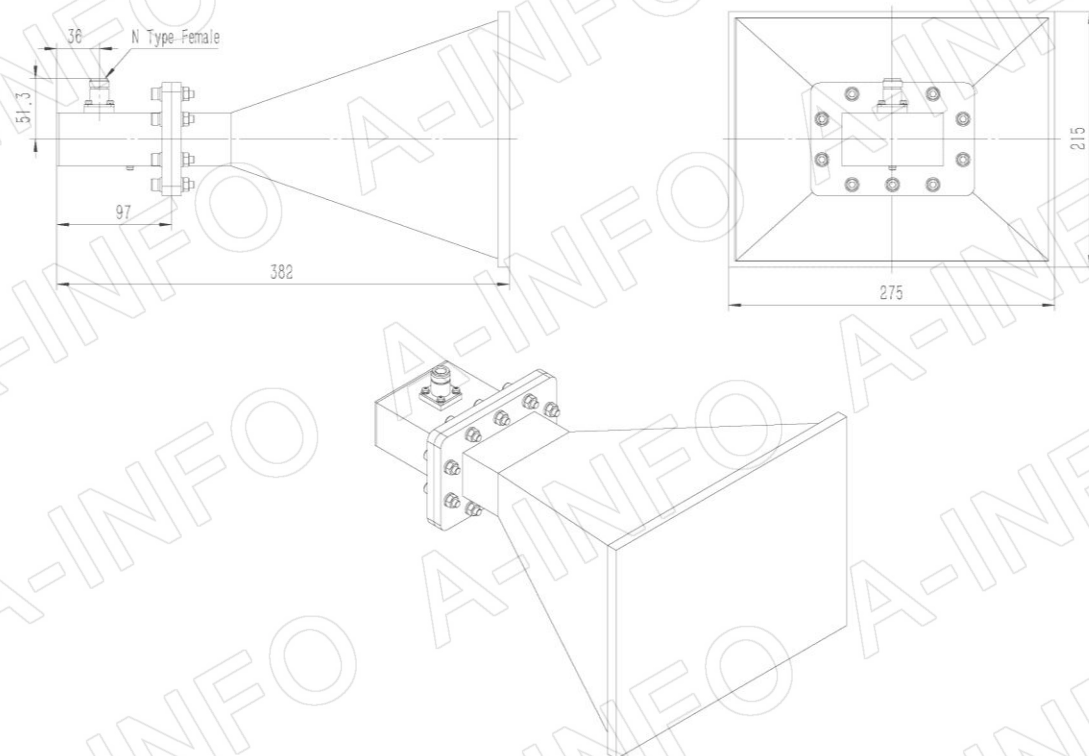


**N-Female Output with L Type Mounting Bracket (Option, P/N: LB-340-10-C-L)**

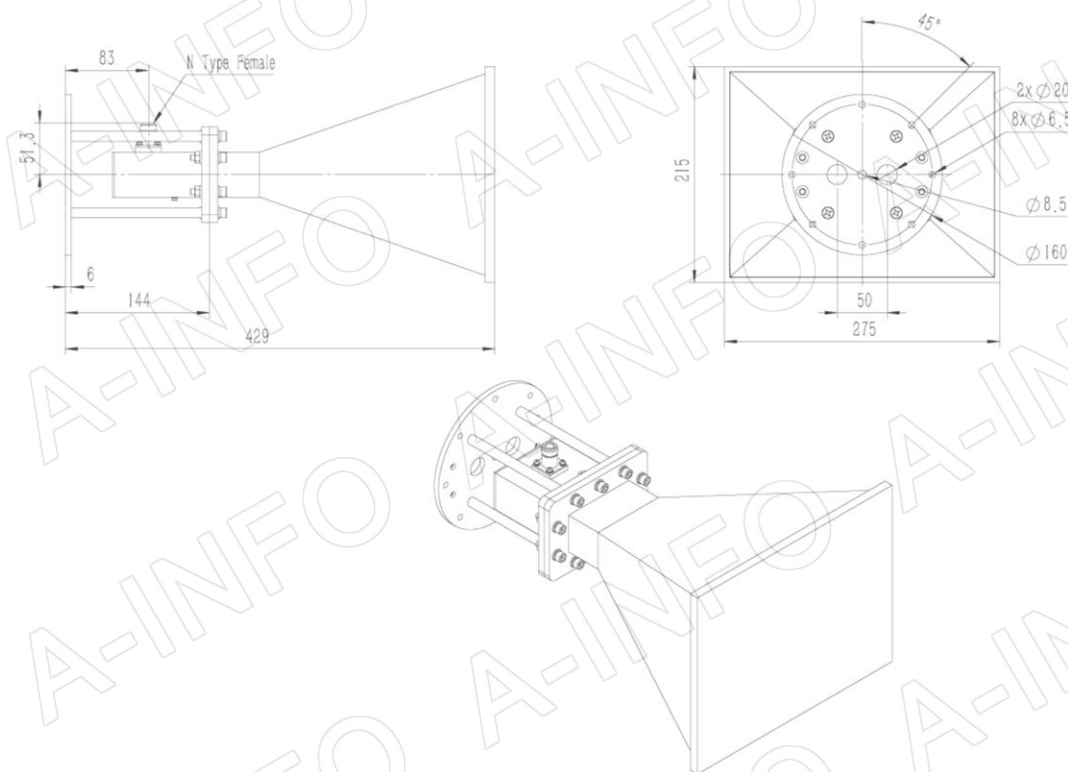
For SMA-Female output outline drawing, please contact A-INFO.



N-Female Output with Radome (Option, P/N: LB-OH-320-15-C-NFSPO, Outdoor Application)  
 For SMA-Female output outline drawing, please contact A-INFO.

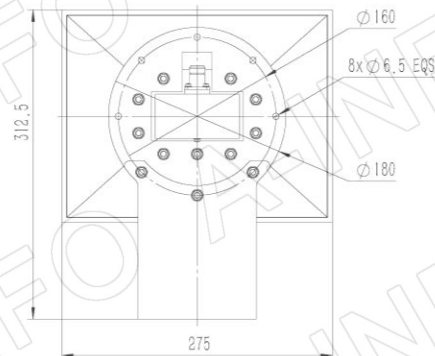
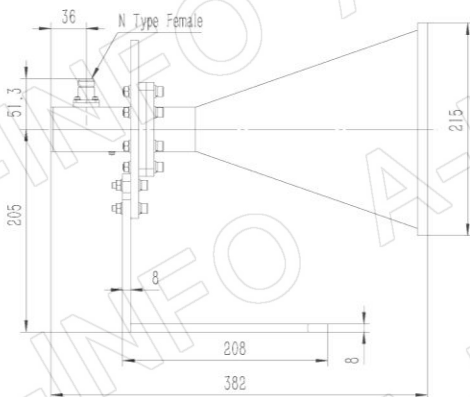
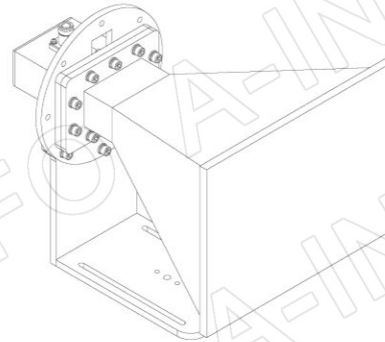
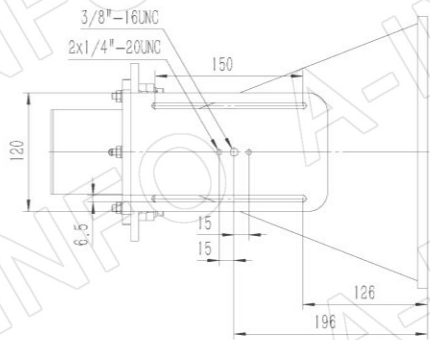


N-Female Output with Round Mounting Bracket & Radome (Option, P/N: LB-340-10-C-MB & LB-OH-320-15-C-NFSPO, Outdoor Application)  
 For SMA-Female output outline drawing, please contact A-INFO.



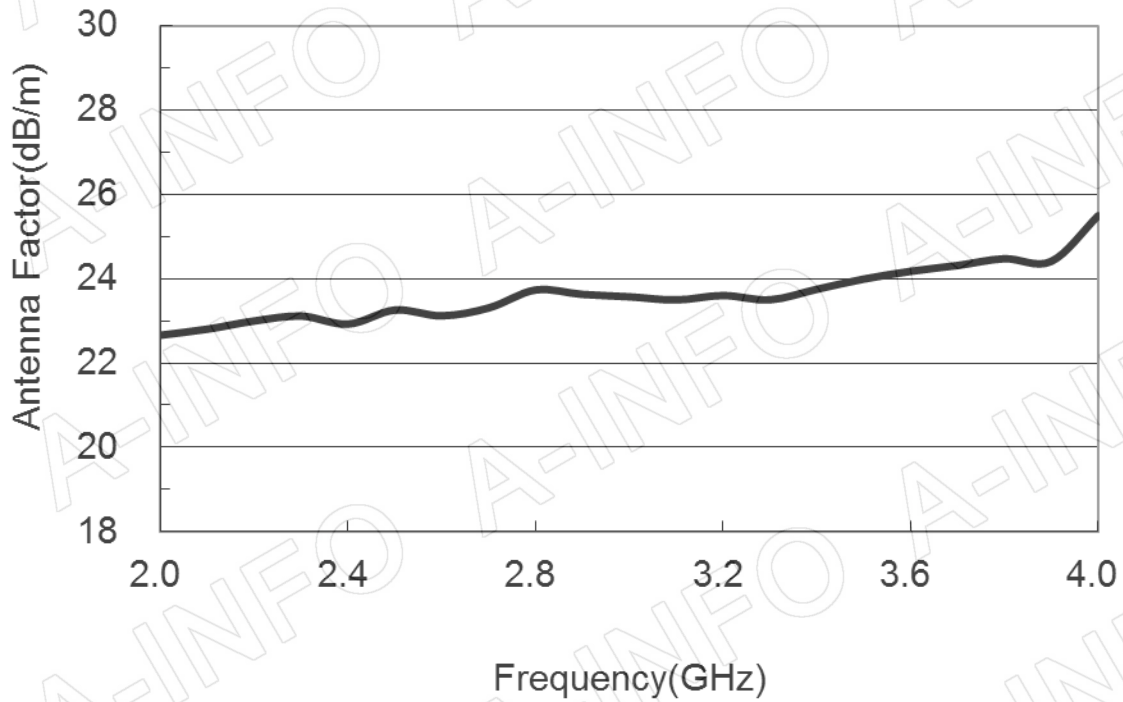
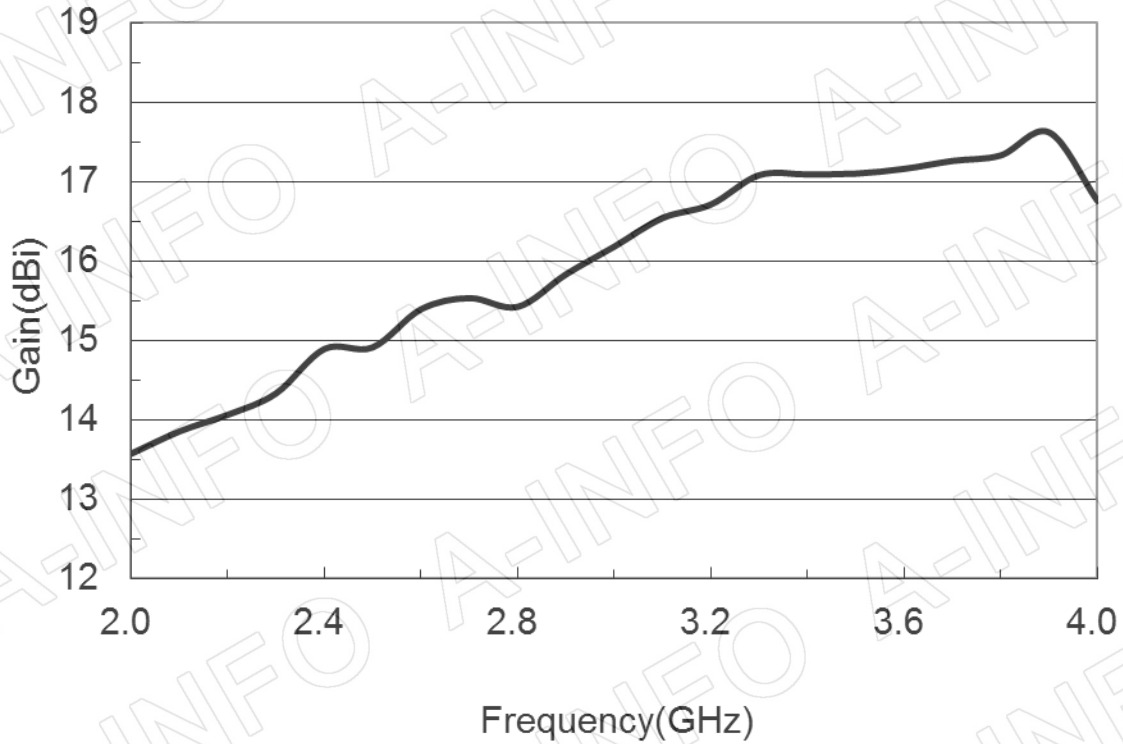
**N-Female Output with L Type Mounting Bracket & Radome (Option, P/N: LB-340-10-C-L & LB-OH-320-15-C-NFSP0, Outdoor Application)**

For SMA-Female output outline drawing, please contact A-INFO.

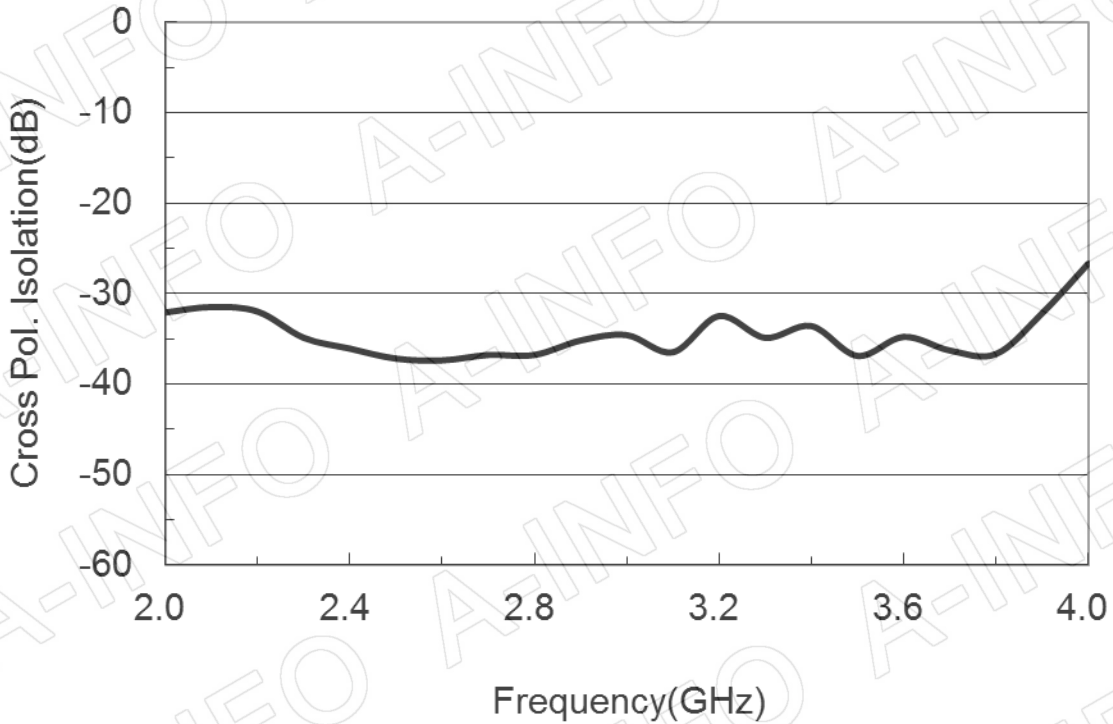


## Test Results

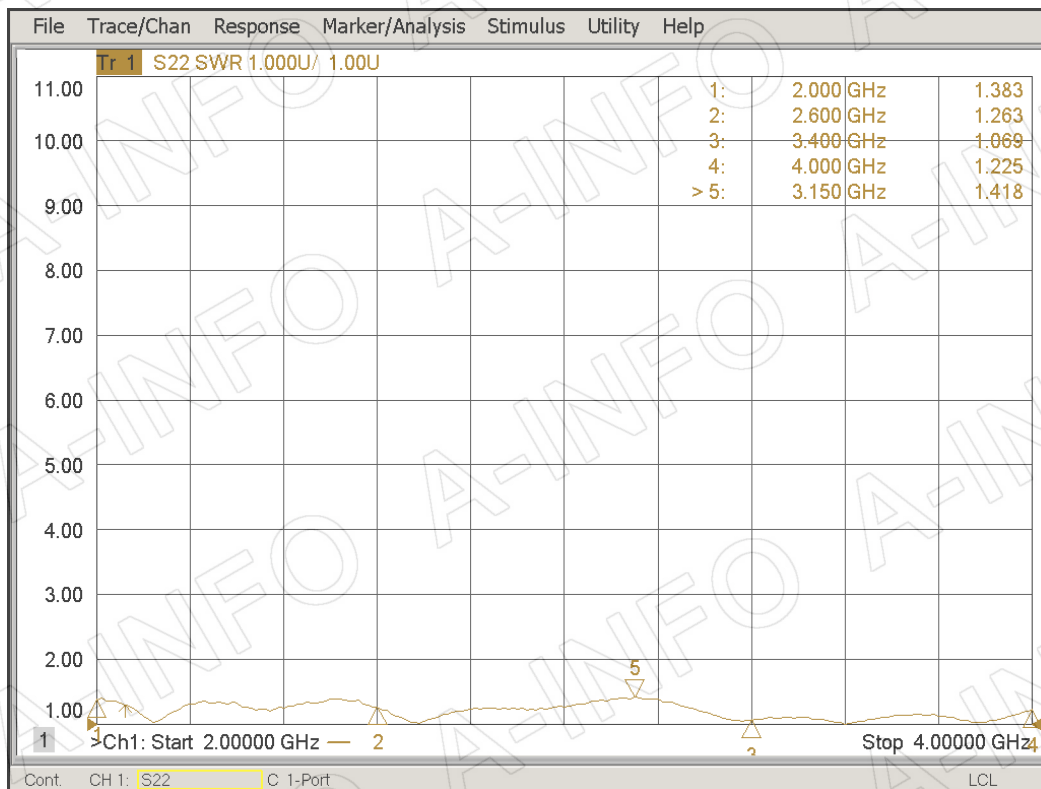
### 1. Gain & Antenna Factor



## 2. Cross Pol. Isolation



## 3. VSWR



## 4. Pattern

