

Technical Specification



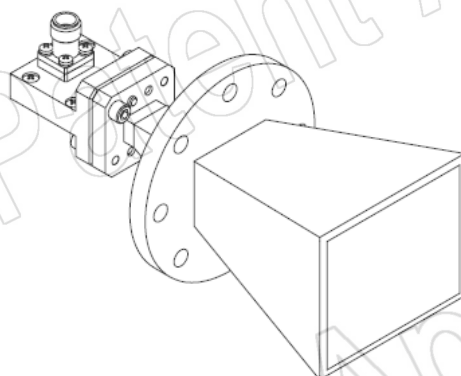
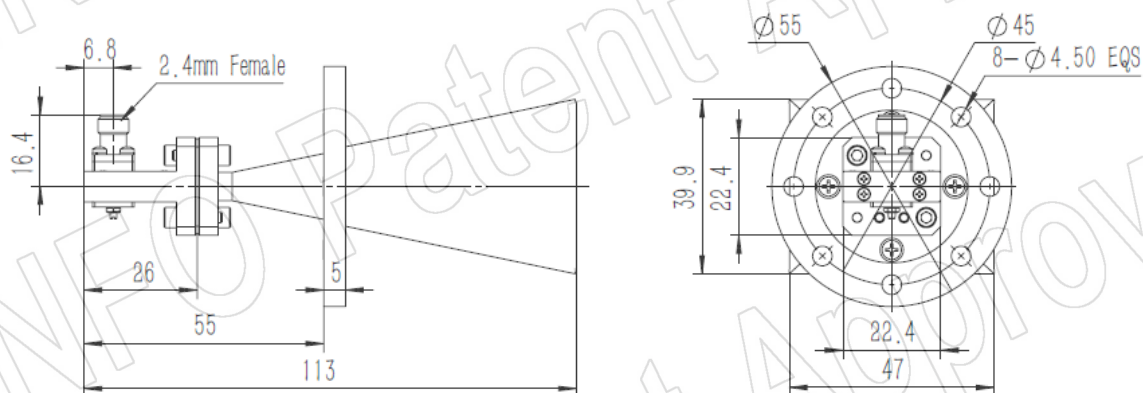
Frequency Range(GHz)	18.0 - 50.0
Gain(dBi)	20 Typ.
Polarization	Linear
3dB Beamwidth(deg)	E Plane: 23 – 8
	H Plane: 26 – 9
Cross Pol. Isolation(dB)	35 Typ.
VSWR	1.5:1 Typ.
	2.0:1 Max.
Connector	2.4mm-Female
Power Handling(W CW)	10 Max.
Material	Cu
Size(mm)	55 x 55 x 113
Net Weight(Kg)	0.25 Around

PATENT ID (China)

ZL201930458725.9

Outline Drawing (Size: mm)

2.4mm-Female Output (P/N: LB-180500H-2.4F)



AINFO Inc.

Page 1 of 17

China(Beijing):
China(Chengdu):
USA :

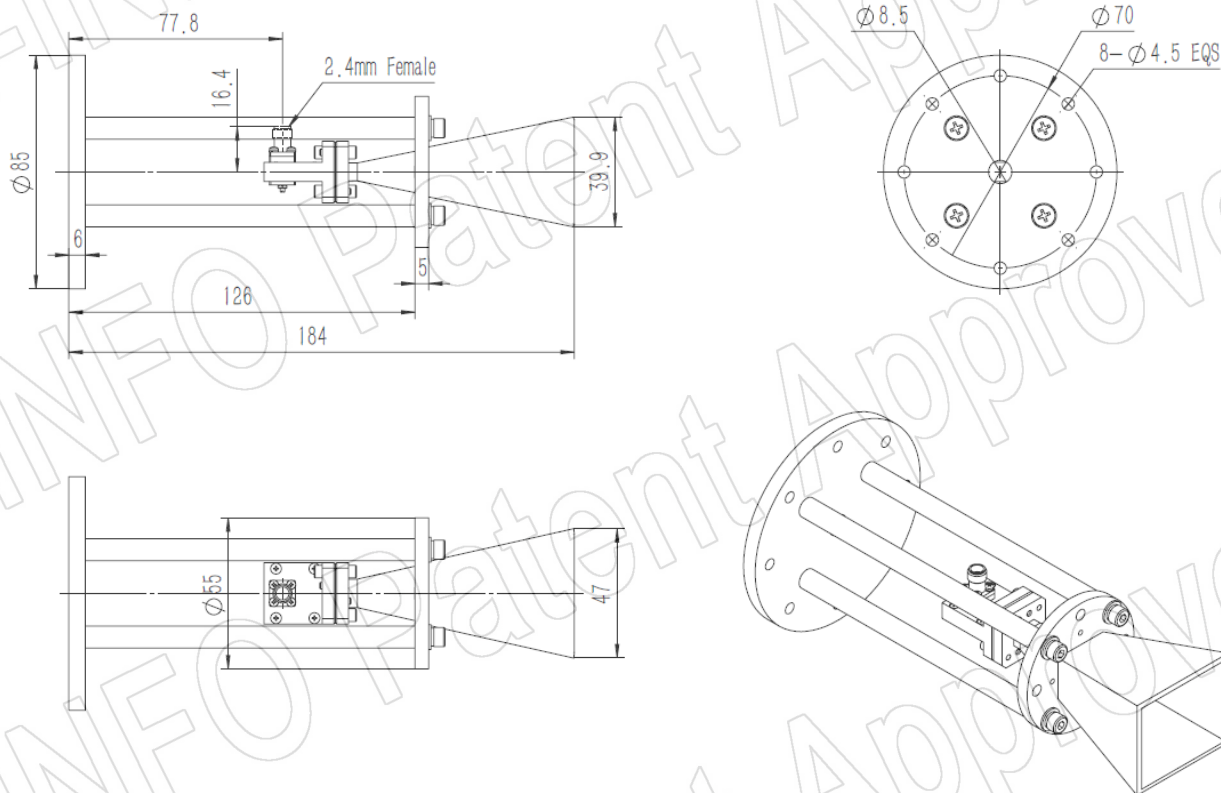
Tel: (+86) 10-6266-7326,
Tel: (+86) 28-8519-2786,
Tel: (+1) 949-639-9688,

(+86) 10-6266-7327
(+86) 28-8519-3044
(+1) 949-639-9608

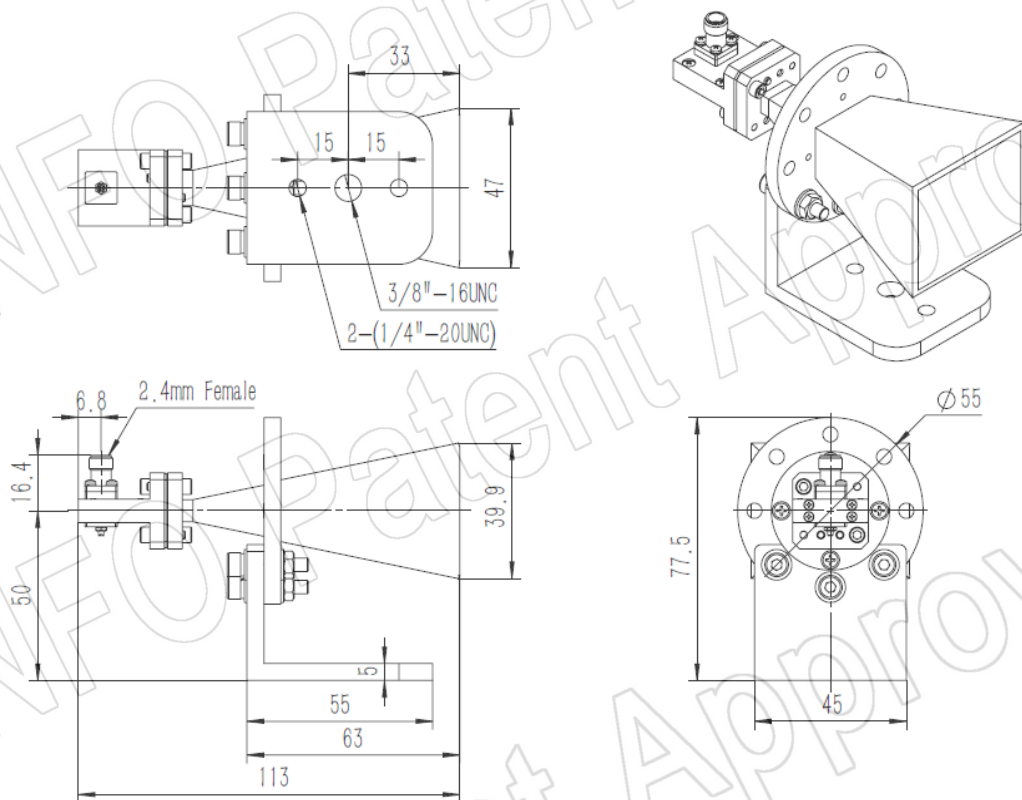
Fax: (+86) 10-6266-7379
Fax: (+86) 28-8519-3068
Fax: (+1) 949-639-9670

Website: www.ainfoinc.com
Email: sales@ainfoinc.com

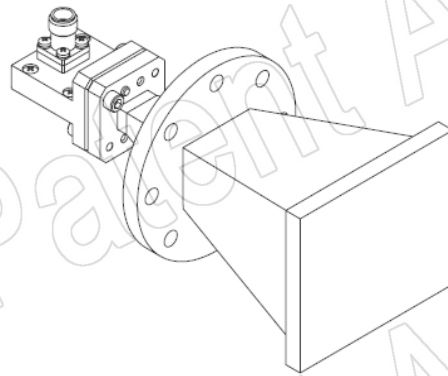
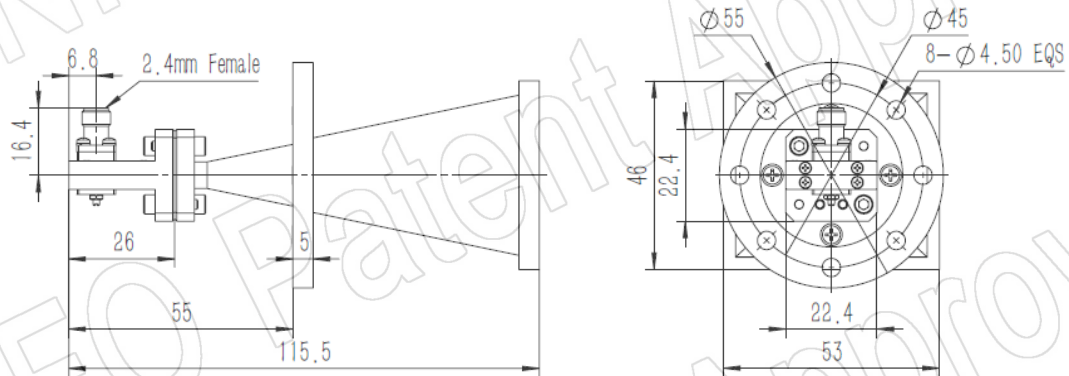
2.4mm-Female Output with Round Mounting Bracket (Option, P/N: LB-19-25-MB2)



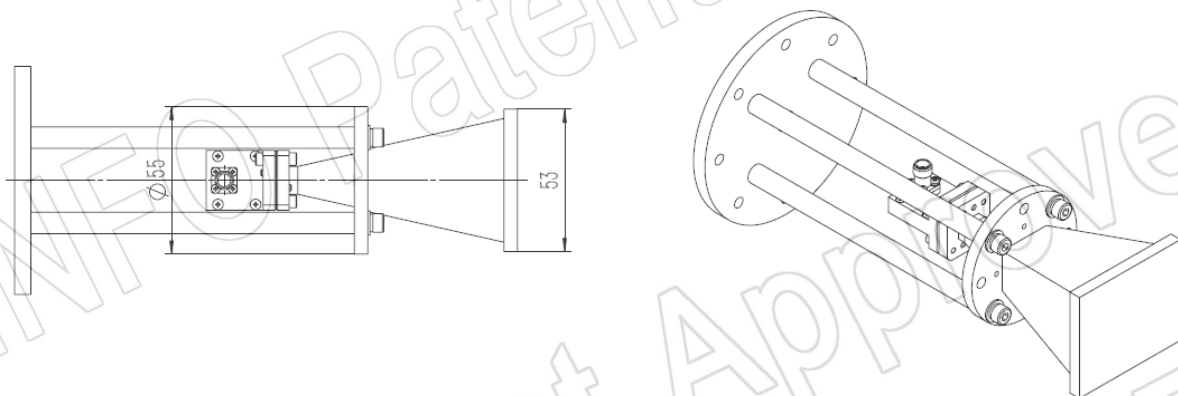
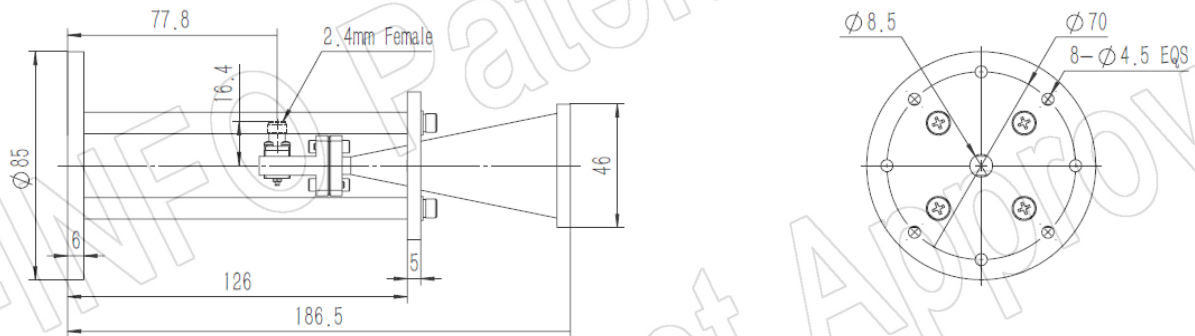
2.4mm-Female Output with L Type Mounting Bracket (Option, P/N: LB-19-25-L2)



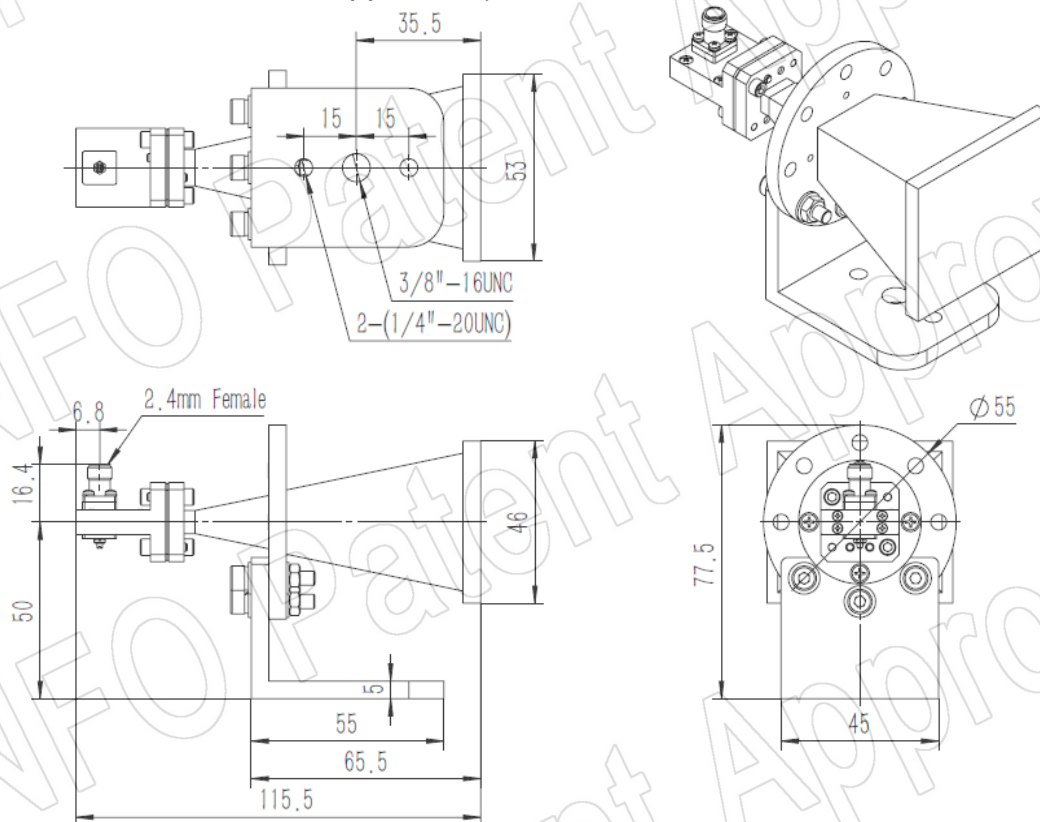
2.4mm-Female Output with Radome (Option, P/N: LB-180500H-2.4FSPO, Outdoor Application)



2.4mm-Female Output with Round Mounting Bracket & Radome (Option, P/N: LB-19-25-MB2 & LB-180500H-2.4FSPO, Outdoor Application)

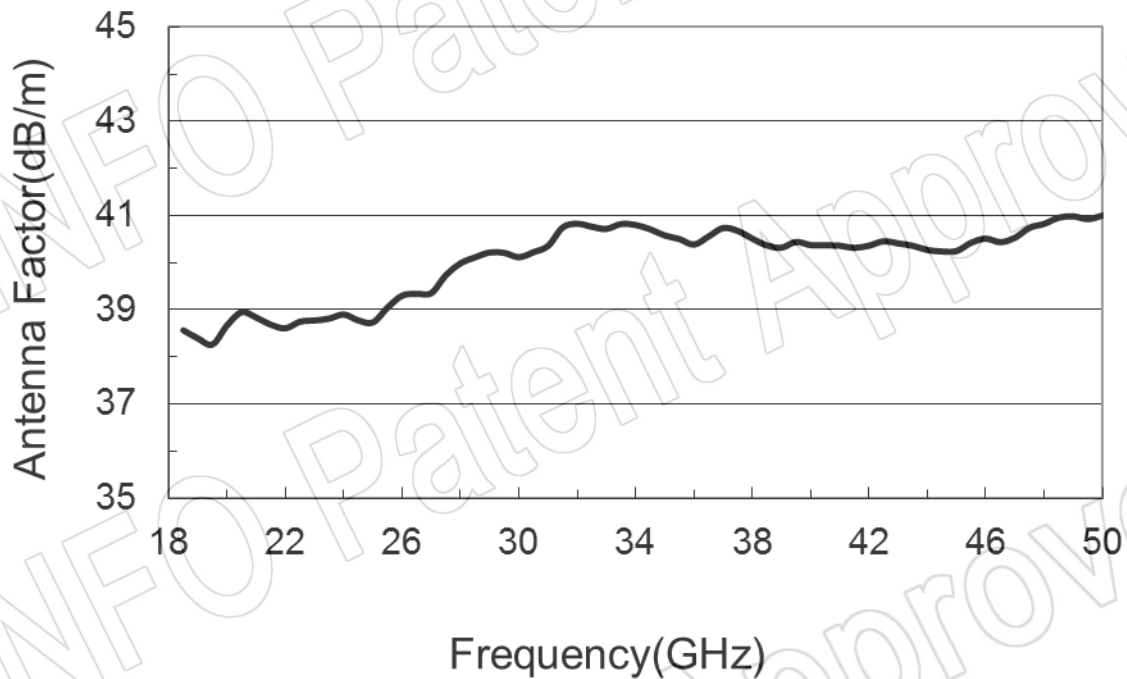
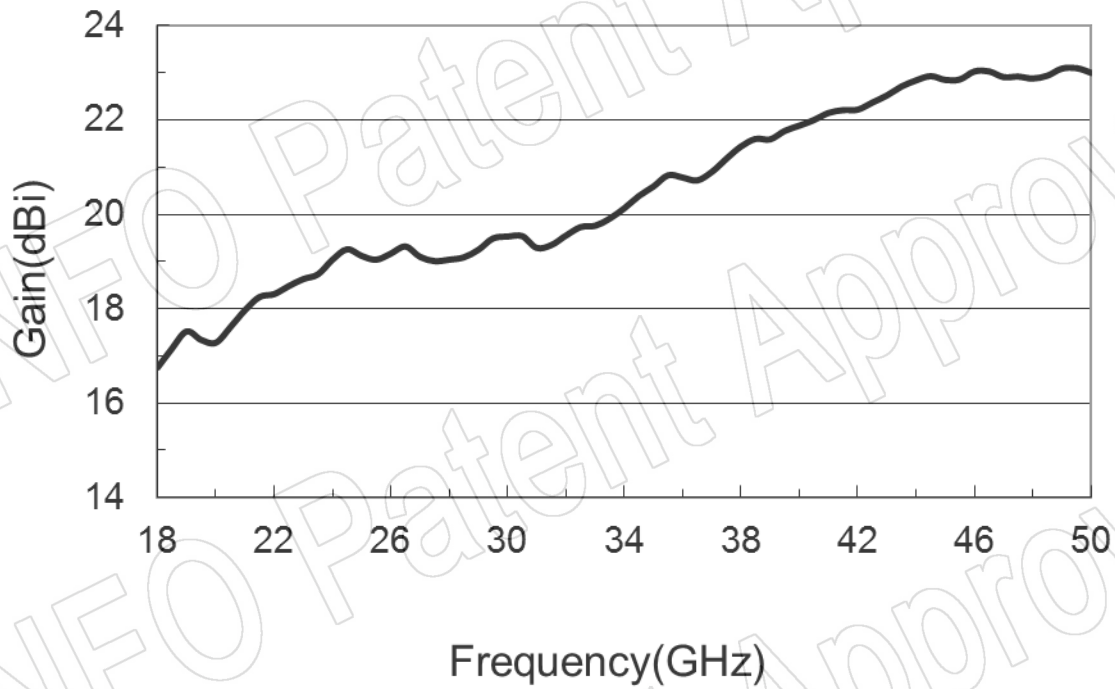


2.4mm-Female Output with L Type Mounting Bracket & Radome (Option, P/N: LB-19-25-L2 & LB-180500H-2.4FSPO, Outdoor Application)

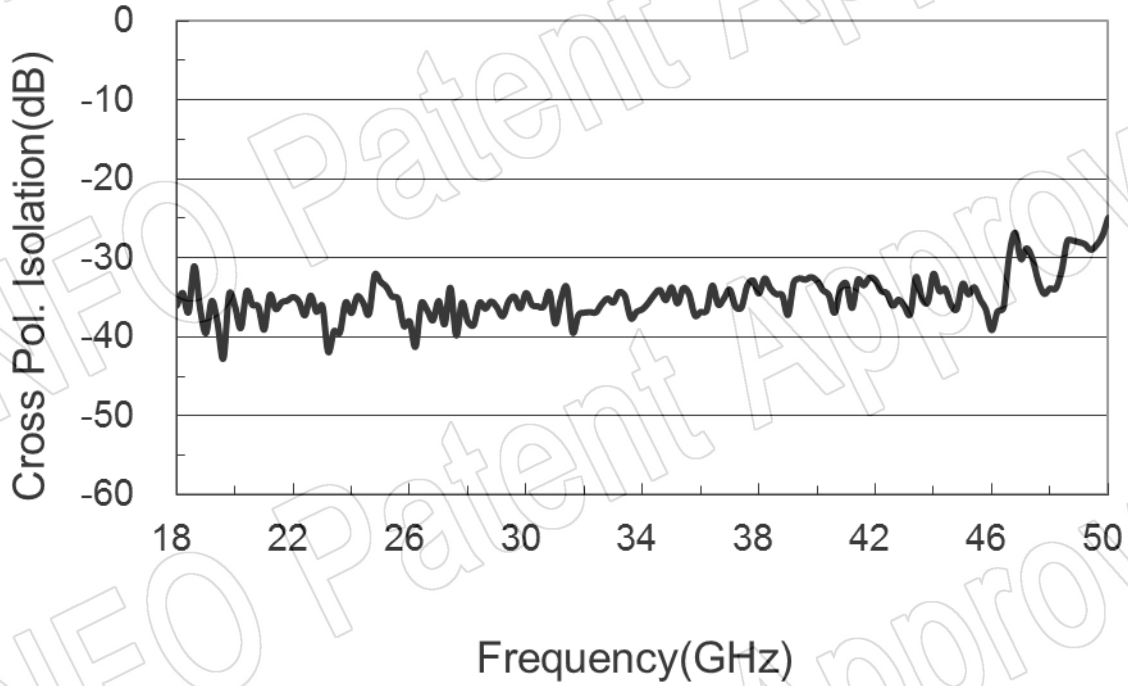


Test Results

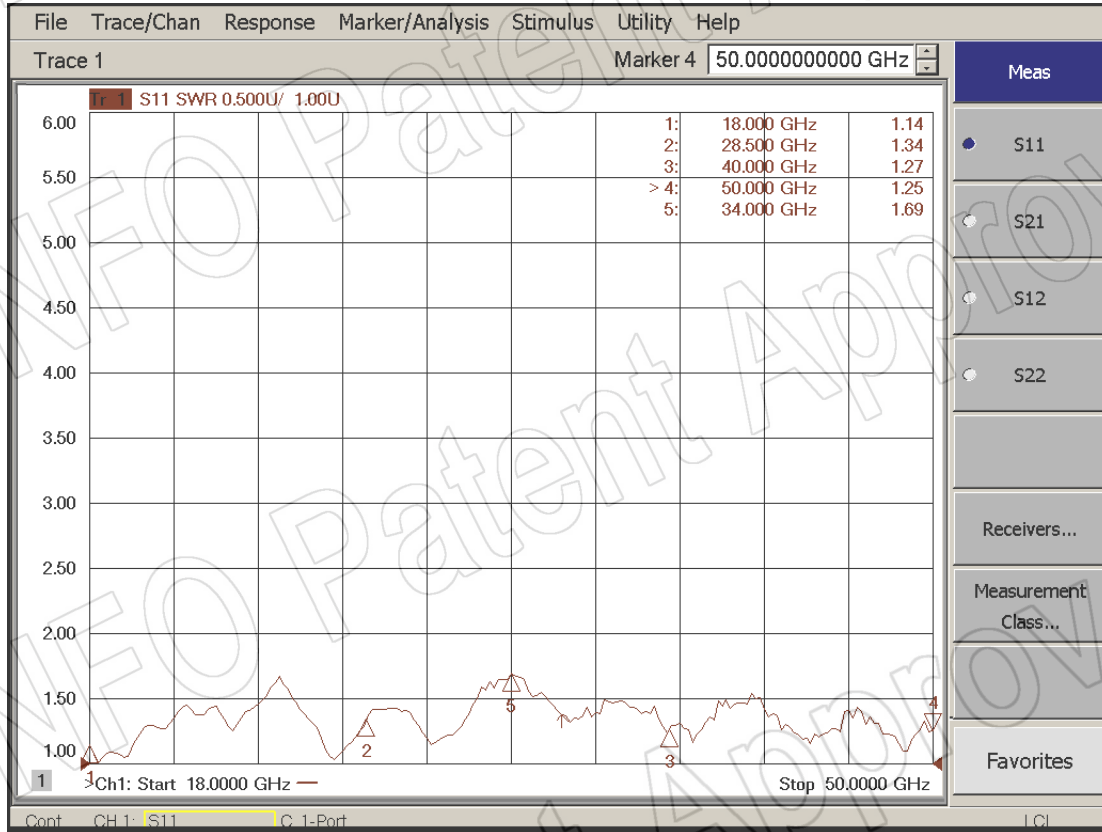
1. Gain & Antenna Factor



2. Cross Polarization Isolation



3. VSWR



4. Pattern

