

Technical Specification

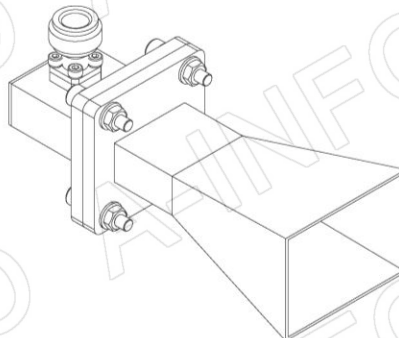
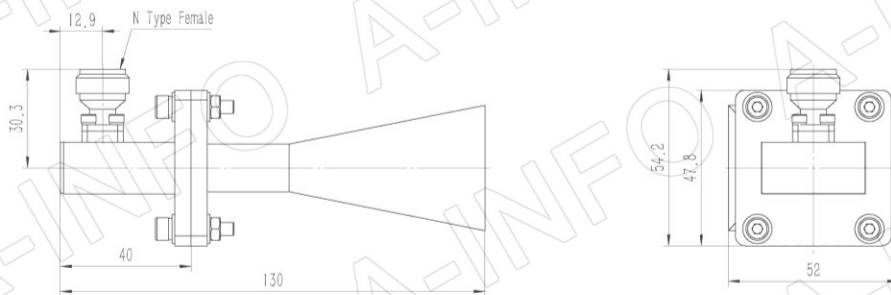


Frequency Range(GHz)	6.0 - 12.0
Gain(dBi)	10 Typ.
Polarization	Linear
3dB Beamwidth(deg)	E Plane: 76 - 29
	H Plane: 61 - 29
Cross Pol. Isolation(dB)	35 Typ.
VSWR	1.5:1 Typ.
Output	N-Female or SMA-Female or TNC-Female or 7mm or 3.5mm-Female
Power Handling(W CW)	N-Female: 150 Max.
	SMA-Female: 50 Max.
	TNC-Female: 150 Max.
	7mm: 150 Max.
	3.5mm-Female: 50 Max.
Material	Al
Size(mm)	52 x 54.2 x 130
Net Weight(Kg)	0.20 Around

Outline Drawing (Size: mm)

N-Female Output (P/N: LB-OH-112-10-C-NF)

For SMA-Female, TNC- Female, 7mm or 3.5mm-Female output outline drawing, please contact A-INFO.



AINFO Inc.

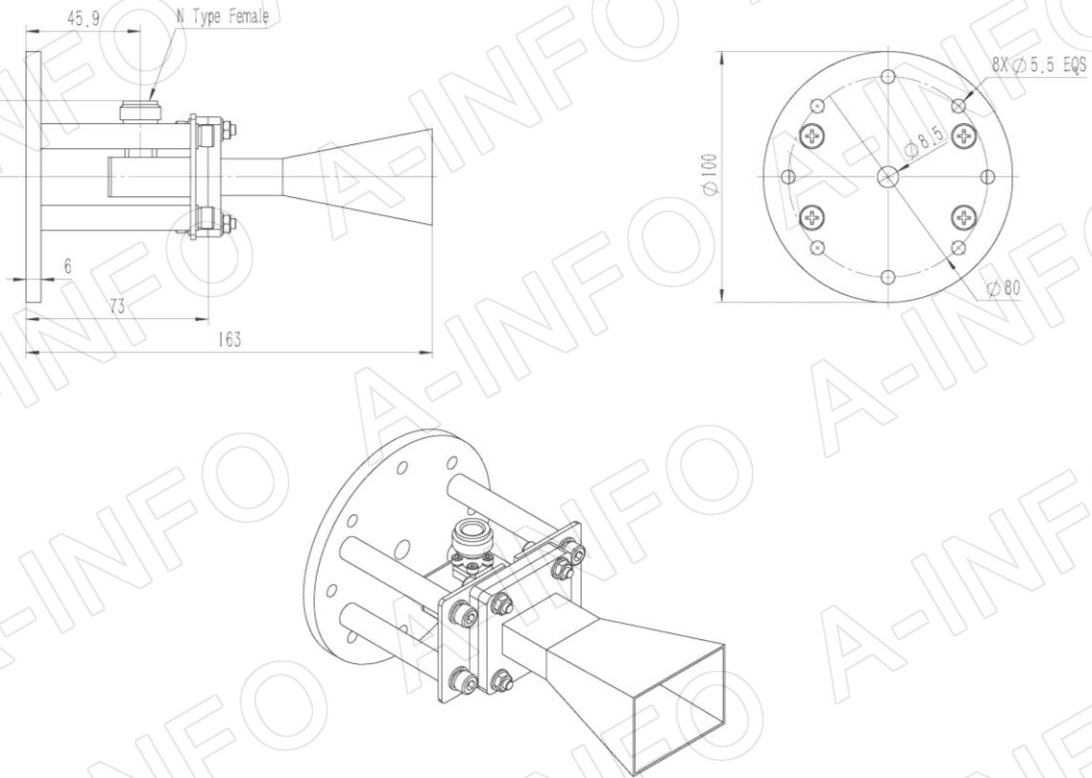
China(Beijing): Tel: (+86) 10-6266-7326,
China(Chengdu): Tel: (+86) 28-8519-2786,
USA: Tel: (+1) 949-639-9688,

Page 1 of 9
(+86) 10-6266-7327 Fax: (+86) 10-6266-7379
(+86) 28-8519-3044 Fax: (+86) 28-8519-3068
(+1) 949-639-9608 Fax: (+1) 949-639-9670

Website: www.ainfoinc.com
Email: sales@ainfoinc.com

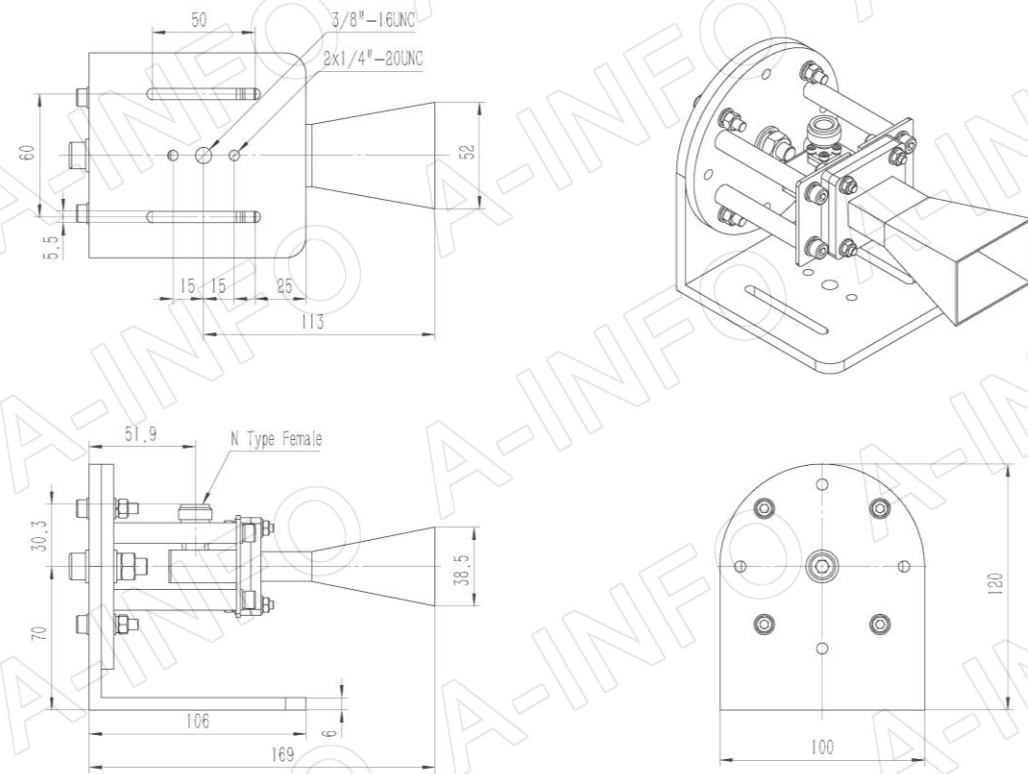
N-Female Output with Round Mounting Bracket (Option, P/N: LB-112-10-C-MB)

For SMA-Female output outline drawing, please contact A-INFO.

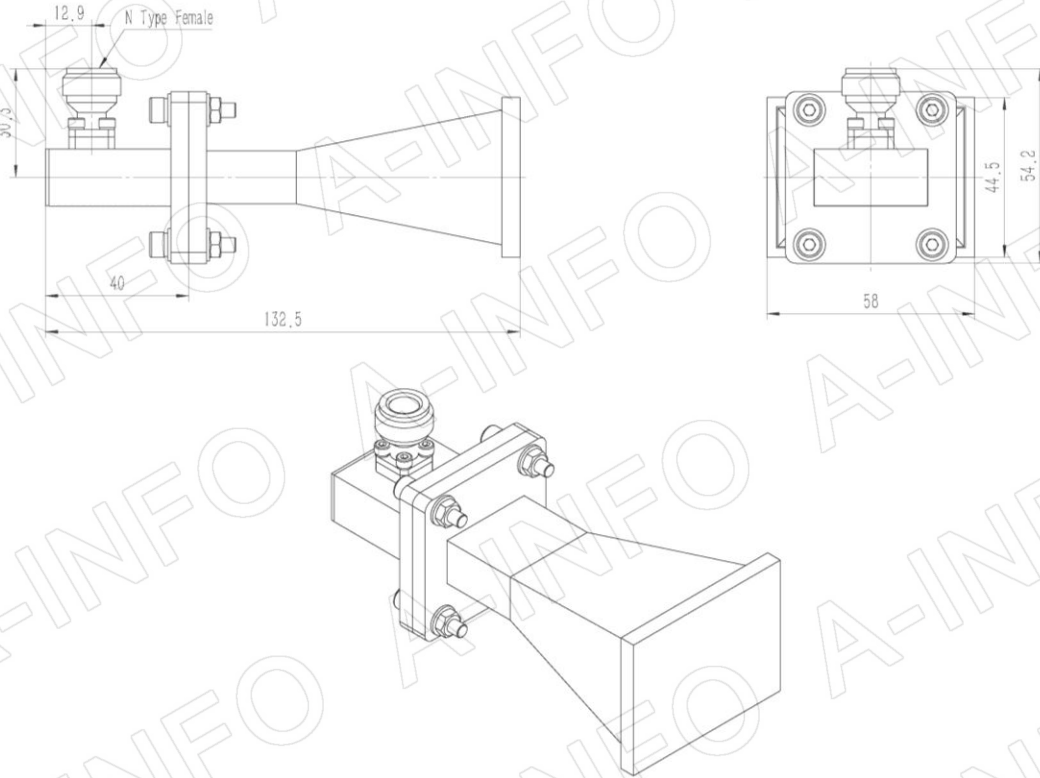


N-Female Output with L Type Mounting Bracket (Option, P/N: LB-112-10-C-MBL)

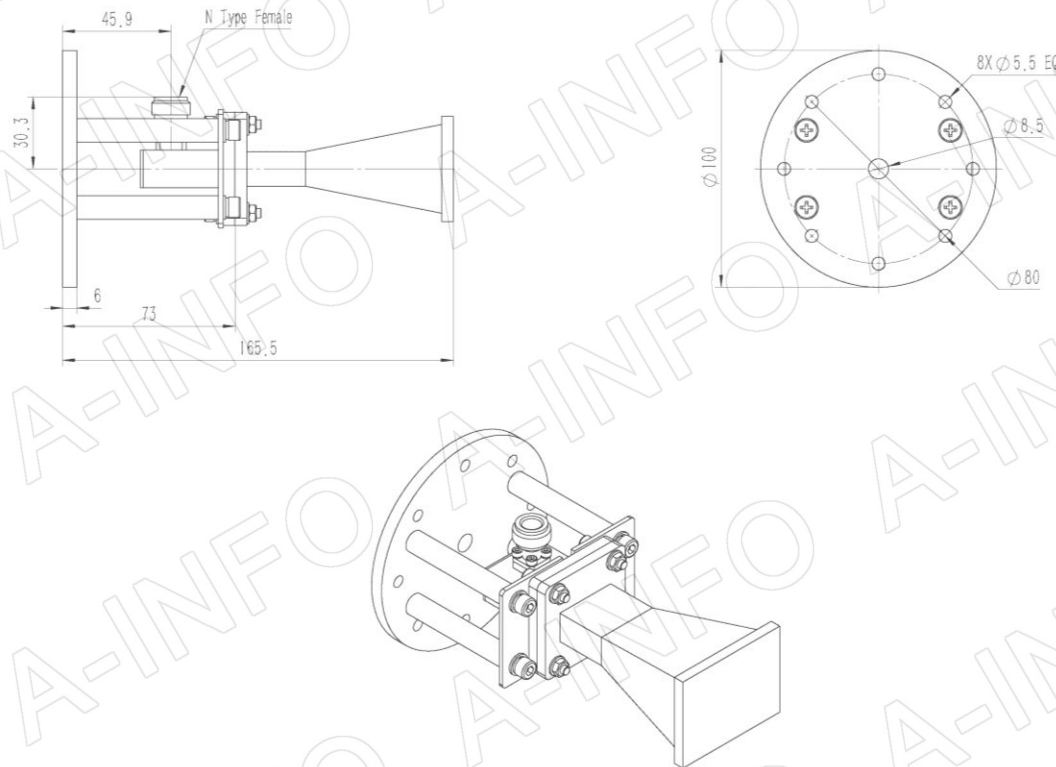
For SMA-Female output outline drawing, please contact A-INFO.



N-Female Output with Radome (Option, P/N: LB-OH-112-10-C-NFSPO, Outdoor Application)
 For SMA-Female output outline drawing, please contact A-INFO.

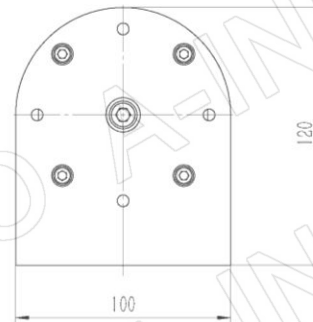
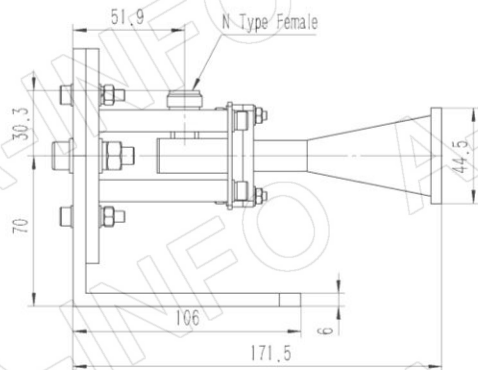
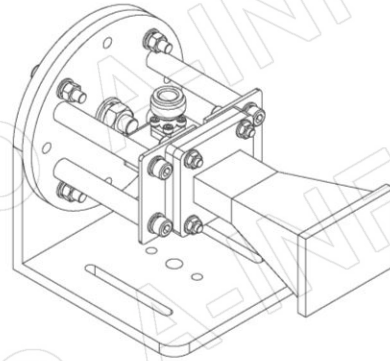
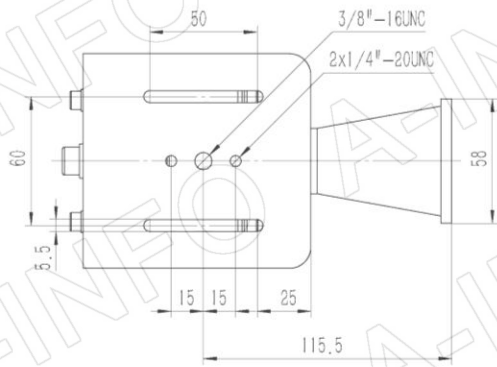


N-Female Output with Round Mounting Bracket & Radome (Option, P/N: LB-112-10-C-MB & LB-OH-112-10-C-NFSPO, Outdoor Application)
 For SMA-Female output outline drawing, please contact A-INFO.



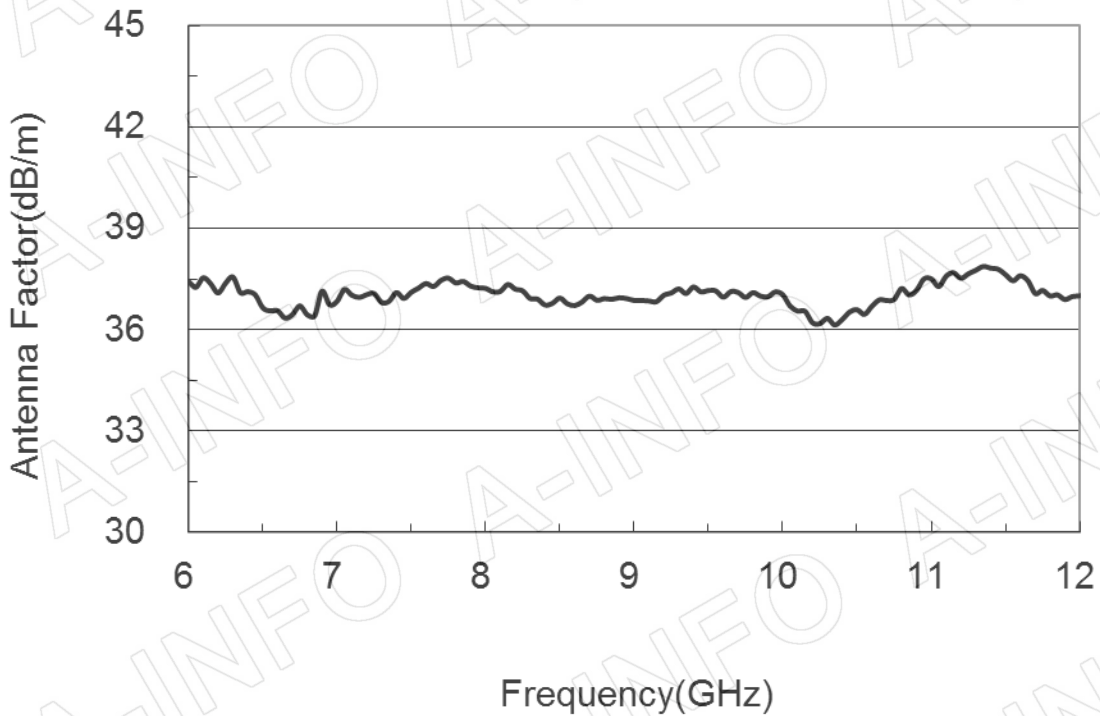
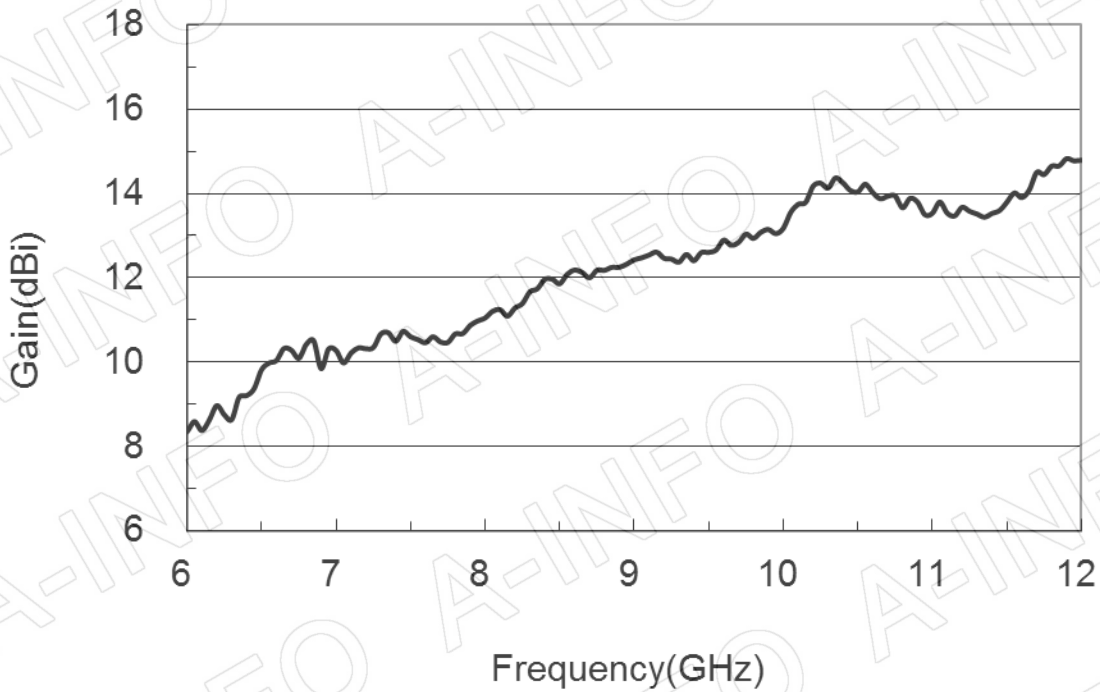
N-Female Output with L Type Mounting Bracket & Radome (Option, P/N: LB-112-10-C-MBL & LB-OH-112-10-C-NFSP0, Outdoor Application)

For SMA-Female output outline drawing, please contact A-INFO.

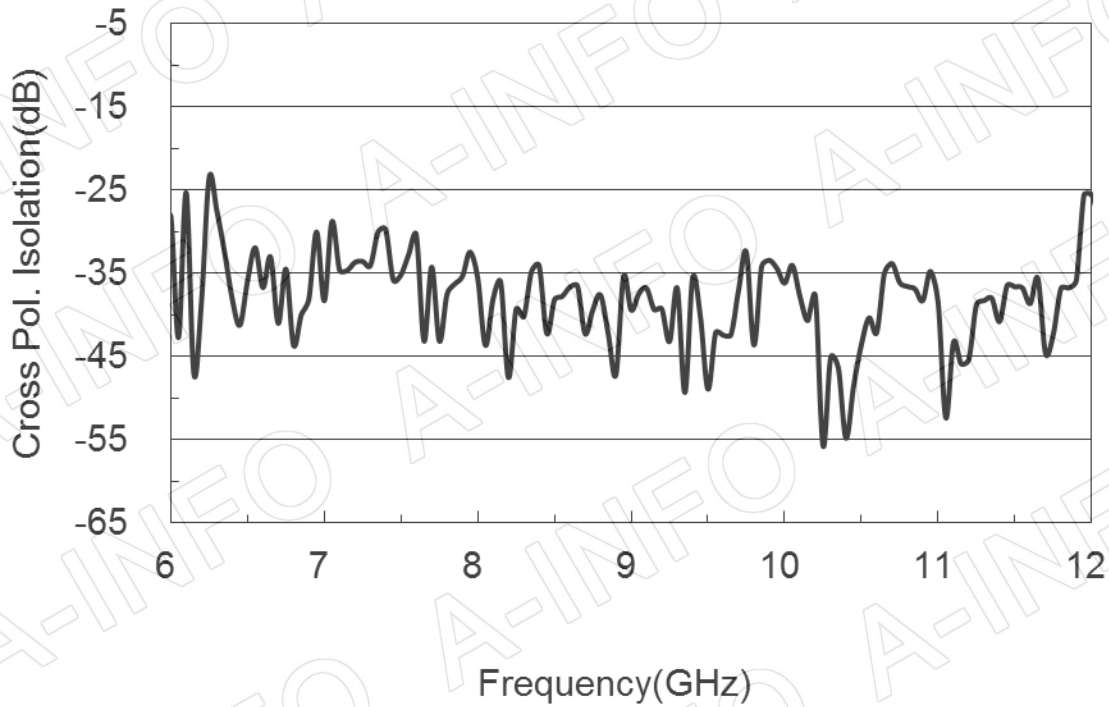


Test Results

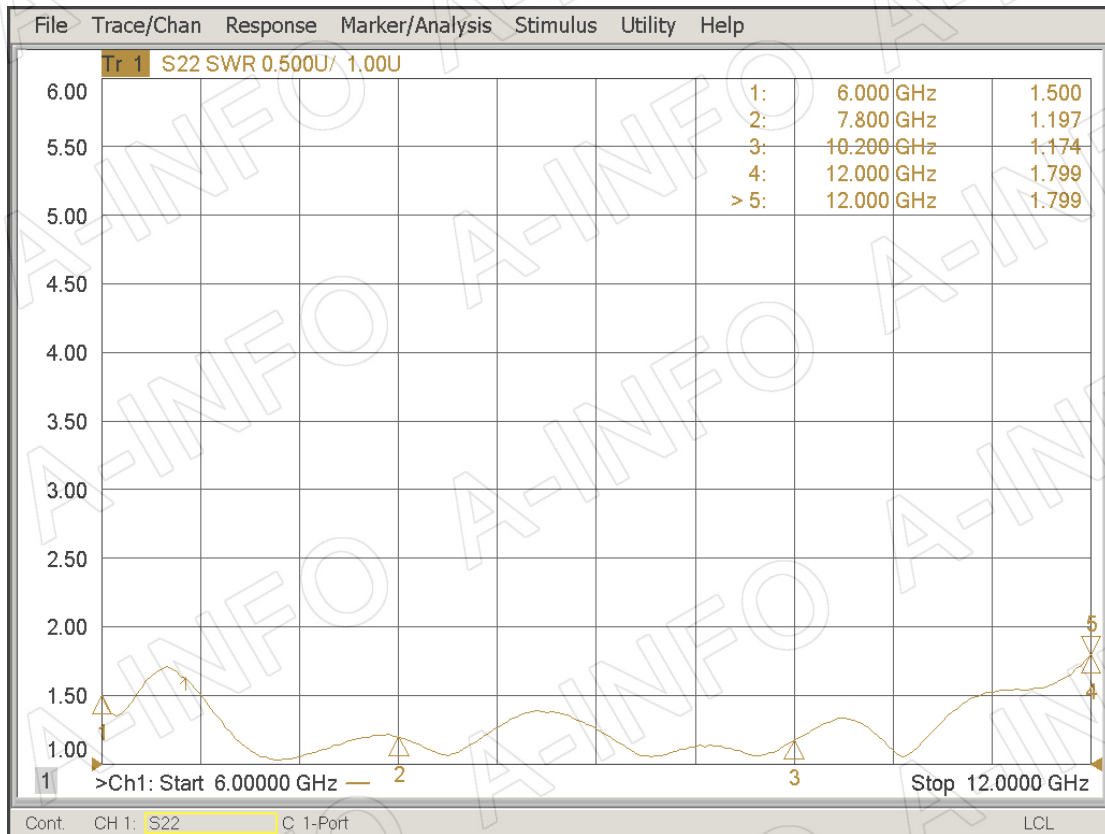
1. Gain & Antenna Factor



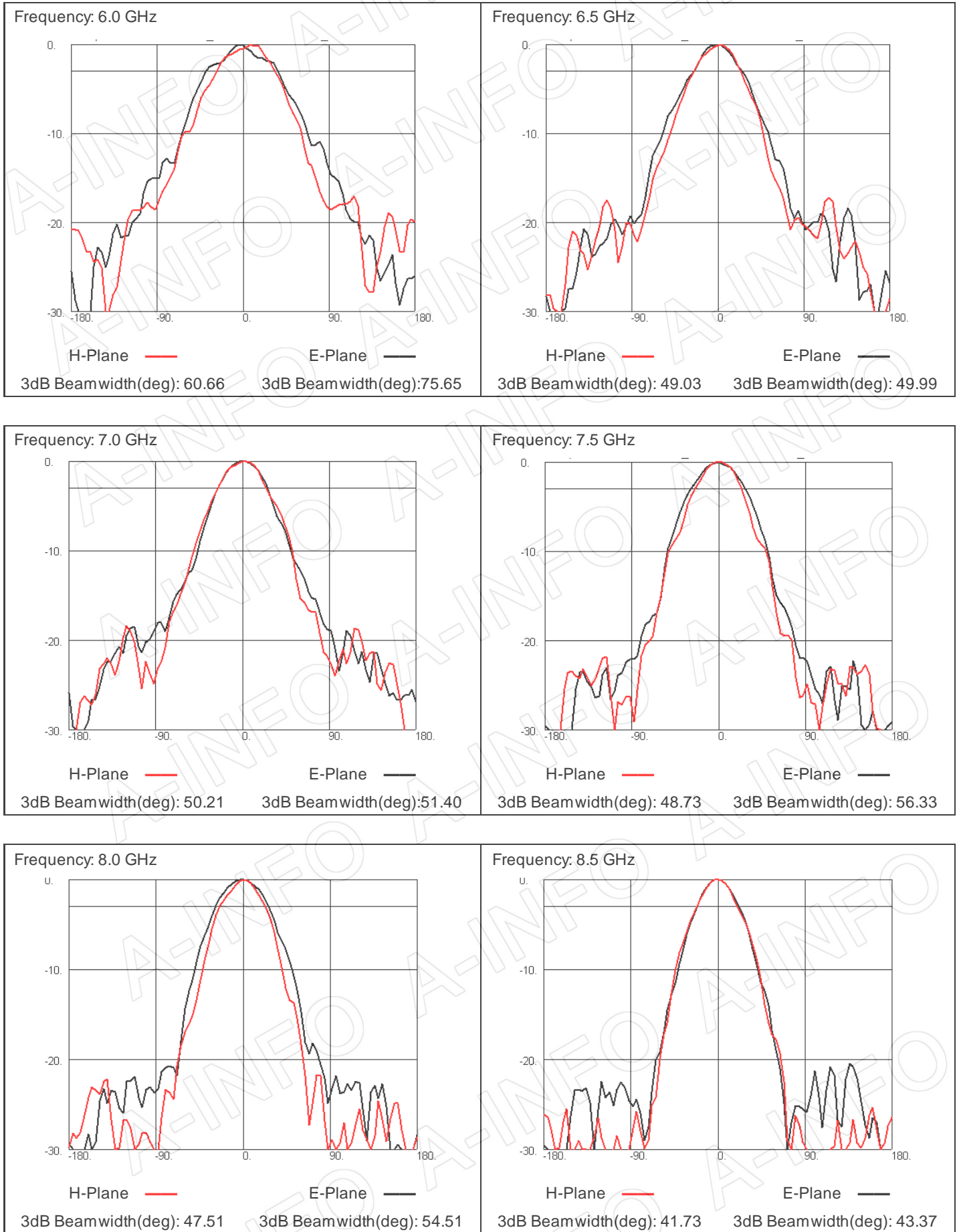
2. Cross Pol. Isolation



3. VSWR



4. Pattern



AINFO Inc.

China(Beijing): Tel: (+86) 10-6266-7326,
China(Chengdu): Tel: (+86) 28-8519-2786,
USA: Tel: (+1) 949-639-9688,

Page 7 of 9
(+86) 10-6266-7327 Fax: (+86) 10-6266-7379
(+86) 28-8519-3044 Fax: (+86) 28-8519-3068
(+1) 949-639-9608 Fax: (+1) 949-639-9670

Website: www.ainfoinc.com
Email: sales@ainfoinc.com

